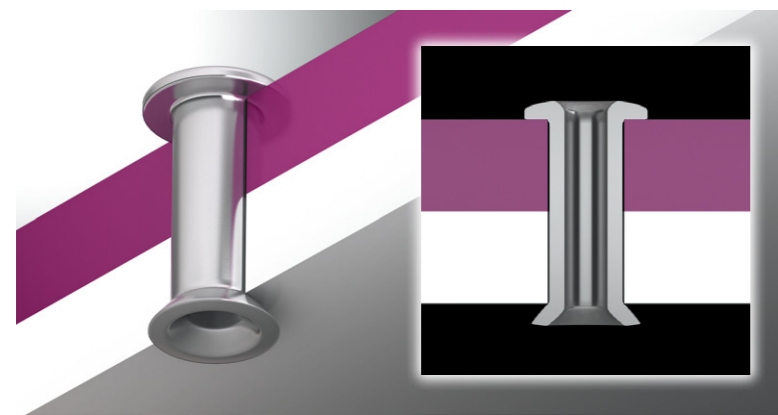
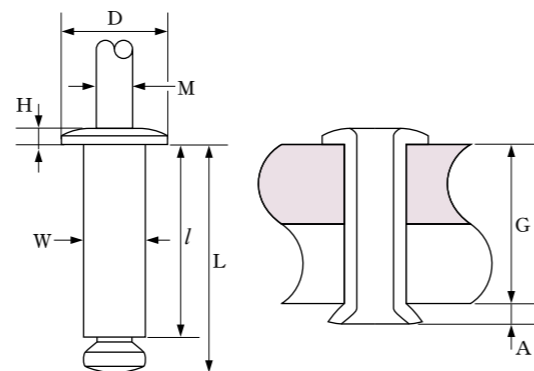


# HL Type / Lower buckling



By maintaining the height of the buckling side low, different design variations are available.

## Symbols of standard dimensions and installation diagram



### Product code

**D AS 5G100 HL**

- ① Flange shape code (D: Round head)
- ② Material code (AS \* See the specification table.)
- ③ Size code (\* See the specification table.)
- ④ Rivet type (HL)

### AS specification table

AS (Sleeve: Aluminum A5154 / fabric, Mandrel: Hard steel wire / zinc plating)

Sleeve diameter W(mm)	Mating hole diameter (mm)	Size code	Recommended fastening range G(mm)	l	L <sup>*1</sup>	A <sup>*2</sup>	Round head (mm)		M (mm)	Strength <sup>*3</sup> (kN)	
							D	H		Tensile	Shear
4.0	4.1	5G100	10.0	12.5	15.0	1.5	6.7	1.0	2.28	1.7	1.3

\*1. The L lengths are given as guidelines. \*2. The A lengths are given as guidelines. \*3. The strength values are obtained through our own testing.

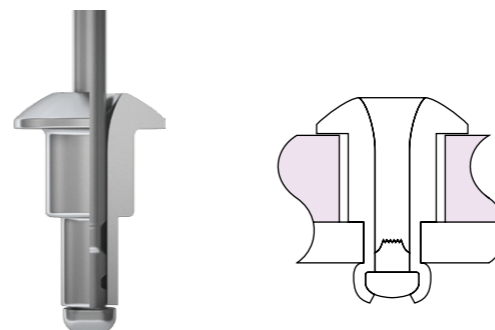
- Remarks (1) The mandrel is plated with zinc.  
 (2) The standard dimensions are subject to change without notice.  
 (3) Specification of the rivet will be designed based on work material, thickness, and diameter of mating hole. Please inquire us for details.

# Examples of Customized Rivets

In addition to the standard products, we tailor rivets to specific customer needs. Please don't hesitate to ask us.

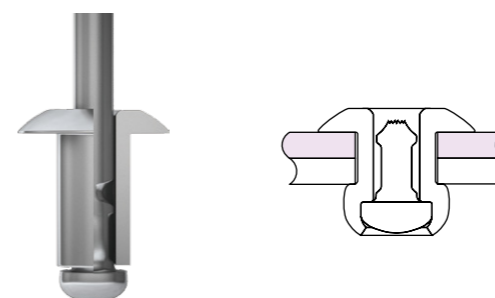
## Stepped rivet

Features : The height from the seating surface of a workpiece to the flange of a fastened rivet is constant, which serves as a fulcrum pin or a spring catch.  
 Uses : Glass louvers, bars and handles



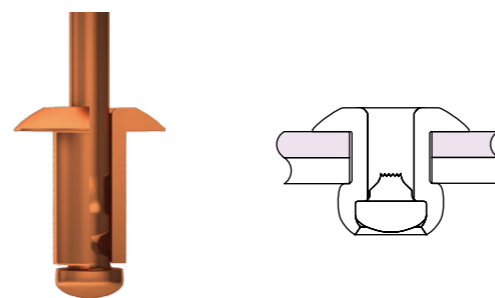
## Improved-shear-strength type

Features : The mandrel is brought up to near the head height to enhance the shear strength.  
 Uses : Reinforcing plates



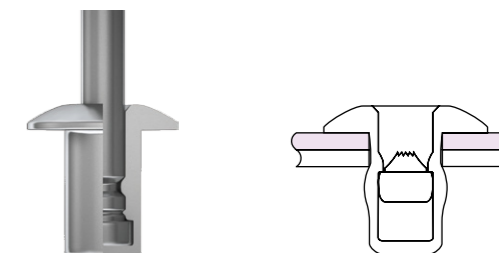
## Conductive rivet

Features : The sleeve and mandrel are made of copper alloy.  
 Uses : Terminal blocks, contacts and connectors



## Sealed type

Features : The sleeve is bag-shaped and great in air tightens.  
 Uses : Shield plugs, outdoor devices and covers



## Blind hole fitting type

Features : This rivet can be fastened into a blind hole in the materials.  
 Uses : Building outer and inner walls, cement, and wood

